

14FF- 2Z- C2-1/2/3

RELAY SOCKET



CHARACTERISTICS

Ambient temperature : -40 °C to 70°C
 Rated voltage : 250VAC
 Rated current : 10A (per pole)
 Dielectric strength min. : 5000VAC (between input & output)
 Plastic retainer type : 14FF-H4 (for -1 type)
 14FF-H5 (for -2 type)
 14FF-H6 (for -3 type)

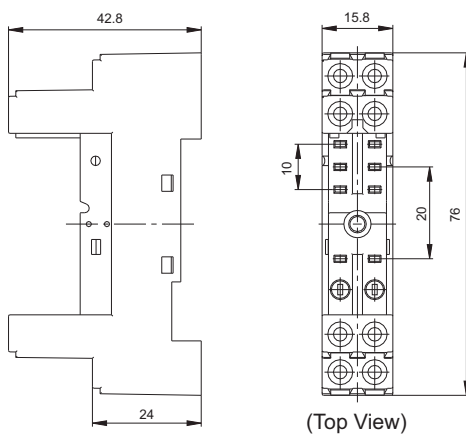
Marker type: 14FF-M1
 Module type : HFAA to HFHU available
 Jumper type : 14FF-J1 available
 Terminal torque : 0.6Nm
 Wire strip length : 7mm
 Max. wire size : 1x4 / 2x2.5mm²

Applicable relay type:
 -1: suit for HF115F series (Relay height 15.7mm).
 -2: suit for HF141FH (Relay height 20.6mm).
 -3: suit for HF14FW/HF140FF (Relay height 26.3mm, 25.5mm).

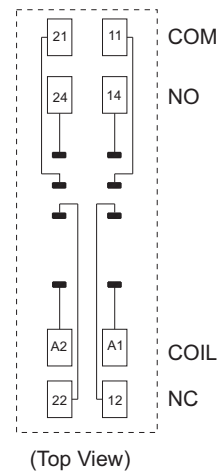
DIMENSIONS, PC BOARD LAYOUT AND WIRING DIAGRAM

Unit: mm

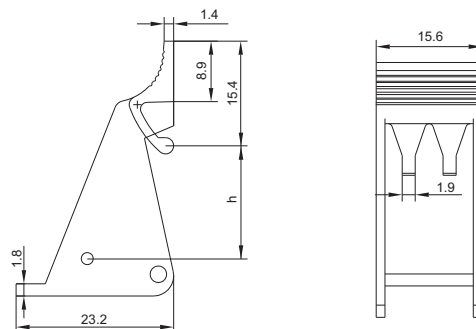
Outline Dimensions



Wiring Diagram



Retainer Dimensions



Three types of retainer height (h) :
 14FF-H4: h=16mm (for -1 type)
 14FF-H5: h=21mm (for -2 type)
 14FF-H6: h=26mm (for -3 type)
 You can choose the type you need.

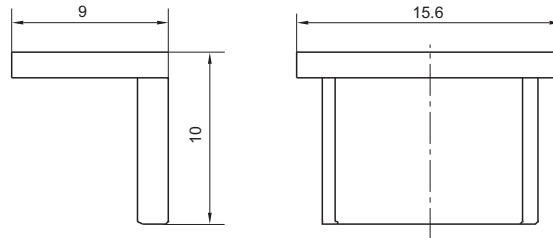


HONGFA RELAY

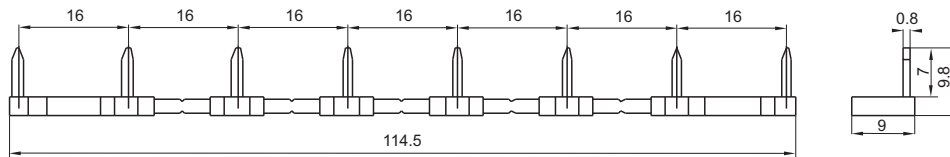
ISO9001, ISO/TS16949, ISO14001, OHSAS18001, IECQ QC 080000 CERTIFIED

2010 Rev. 1.00

Marker Dimensions (14FF-M1)



Jumper Dimensions (14FF-J1)



Disclaimer

This datasheet is for the customers' reference. All the specifications are subject to change without notice. We could not evaluate all the performance and all the parameters for every possible application. Thus the user should be in a right position to choose the suitable product for their own application. If there is any query, please contact Hongfa for the technical service. However, it is the user's responsibility to determine which product should be used only.

© Xiamen Hongfa Electroacoustic Co., Ltd. All rights of Hongfa are reserved.